

PREMIUM HDMI 1.4 M/M CABLE (COPPER BRAIDING) - 1.5', 3', 6', 10, 15', 25', 33', 50'



SKUS	VC-554A	(1.5')	VC-554E	(15')
	VC-554S	(3')	VC-554T	(25')
	VC-554G	(6')	VC-554V	(33')
	VC-554L	(10')	VC-554X	(50')

AVAILABLE COLOUR



FEATURES

- HDMI 1.4 Type A Copper Braided High Speed with Ethernet Cable
- Tested to meet or exceed 1080p
- 15 micron hardened gold-plated contacts for superior transmission, high reliability and durability
- Three layer high density shielding for quality protection, with aluminum braid shielding, aluminum mylar shielding, and aluminum foil shielding
- Twisted pair construction, with a drain wire for grounding
- HDMI version 1.4 adds support for high video resolutions beyond 1080p (4K x 2K Video Support). The following formats are supported in HDMI 1.4: 3840 pixels wide by 2160 pixels high, 4096 pixels wide by 2160 pixels high
- The addition of a HDMI Ethernet Channel allows IP enabled devices to communicate without a separate Ethernet cable
- An Audio Return Channel is included to allow the sending of audio data "upstream" from the TV to a surround sound audio system or A/V receiver, eliminating the need for a separate S/PDIF connection
- Support for 3 additional color spaces deliver sharper and higher quality digital still photography when viewed on an HDTV
- HDMI horizontal tension 20kg/min (minium), vertical tension 10kg/min (minium)
- UL and cUL Listed

SPECIFICATIONS

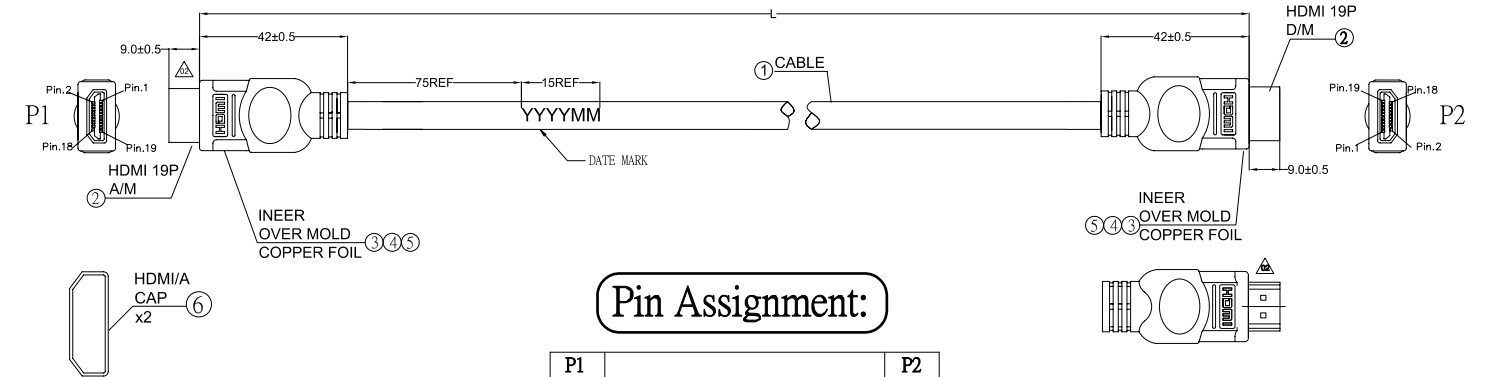
UL APPROVED CUL LISTED ROHS COMPLIANT 100% ELECTRIC TESTED	
TOLERANCE	X.X ± 0.20 XX.X ± 0.50 XXX.X ± 1.0 (mm)
CONDUCTANCE RESISTANCE	10 ohms (max.)
INSULATION RESISTANCE	5M ohms (min.) / 300V DC / 10ms
HDMI HORIZONTAL TENSION	20kg/min (MIN)
VERTICAL TENSILE	10kg/min (MIN)

© PC Cable World. All rights reserved.

PC Cable World product specifications are subject to change without notice, but are accurate at the time of printing. Please contact a sales representative for a current specs. Please note that all physical specifications are nominal.

www.pccableworld.com

PREMIUM HDMI 1.4 M/M CABLE (COPPER BRAIDING) - 75', 100'



Pin Assignment:

P1		P2
1	Red	1
2	Drain Wire	2
3	White	3
4	Green	4
5	Drain Wire	5
6	White	6
7	Blue	7
8	Drain Wire	8
9	White	9
10	Brown	10
11	Drain Wire	11
12	White	12
14	Orange	14
17	Drain Wire	17
19	White	19
13	Black	13
15	Red	15
16	Green	16
18	Brown	18
Shield	Drain Wire+Braid	Shield

SPECIFICATIONS

SKUS	LENGTH	CABLE
VC-554A	1.5FT (457mm ± 30mm)	
VC-554S	3FT (915mm ± 30mm)	<1>
VC-554G	6FT (1830mm ± 30mm)	
VC-554L	10FT (3050mm ± 50mm)	
VC-554E	15FT (4575mm ± 50mm)	
VC-554T	25FT (7625mm ± 50mm)	<2>
VC-554V	33FT (10065mm ± 100mm)	
VC-554X	50FT (15250mm ± 100mm)	

MATERIALS

(1) CABLE	<1> HDMI CABLE UL20276 {28AWG(7/0.127T)*1P+1TG}*5P+28AWG(7/0.127T)*4C+AEB 85% Jacket: Black, OD: 7.3±0.2mm, CMG/FT4
	<2> UL20276 {24AWG(7/0.20T)*1P+1TG}*5P+24AWG(7/0.20T)*4C+AEB 85%, Jacket: Black OD: 10.5±0.2mm, CMG/FT4, (Spec No.:59747-A)
(2) HDMI CONN A/M	19 pin MALE solder type Contact: Copper alloy with Gold Plating 15u" Insulator: Thermoplastic UL94V-0 Metal Sheel with Gold Plating
(3) OVER MOLD	45P PVC Molded, Colour: Black, UL94V-0
(4) INNER MOLD	Material: PE, Colour: Natural, UL94V-0
(5) COPPER FOIL	Copper Foil Soldered
(6) CAP	TPE 75A, Colour: Transparent White

© PC Cable World. All rights reserved.

PC Cable World product specifications are subject to change without notice, but are accurate at the time of printing. Please contact a sales representative for a current specs. Please note that all physical specifications are nominal.

www.pccableworld.com

PREMIUM HDMI 1.4 M/M CABLE (COPPER BRAIDING) - 75', 100'



SKUS VC-554Y (75')
VC-554Z (100')

AVAILABLE COLOUR ●

FEATURES

- HDMI 1.4 Type A Copper Braided High Speed with Ethernet Cable 22 AWG
- Tested to meet or exceed 1080p
- 15 micron hardened gold-plated contacts for superior transmission, high reliability and durability
- Three layer high density shielding for quality protection, with 85% aluminum braid shielding, aluminum mylar shielding, and aluminum foil shielding
- Twisted pair construction, with a drain wire for grounding
- Higher 22 AWG offsets the need for a HDMI repeater, decreasing signal degradation that is common with longer lengths of cable
- HDMI version 1.4 adds support for high video resolutions beyond 1080p (4K x 2K Video Support). The following formats are supported in HDMI 1.4: 3840 pixels wide by 2160 pixels high, 4096 pixels wide by 2160 pixels high
- The addition of a HDMI Ethernet Channel allows IP enabled devices to communicate without a separate Ethernet cable
- An Audio Return Channel is included to allow the sending of audio data "upstream" from the TV to a surround sound audio system or A/V receiver, eliminating the need for a separate S/PDIF connection
- Support for 3 additional color spaces deliver sharper and higher quality digital still photography when viewed on an HDTV
- UL and cUL Listed

SPECIFICATIONS

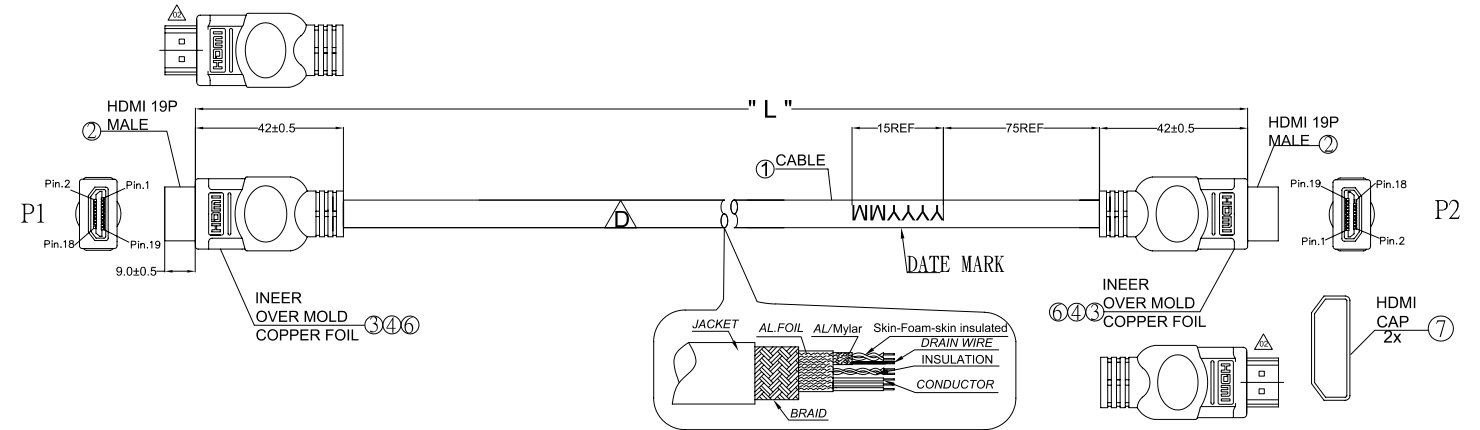
UL APPROVED CUL LISTED ROHS COMPLIANT 100% ELECTRIC TESTED	
TOLERANCE	X.X ± 0.20 XX.X ± 0.50 XXX.X ± 1.0 (mm)
CONDUCTANCE RESISTANCE	10 ohms (max.)
INSULATION RESISTANCE	5M ohms (min.) / 300V DC / 10ms
HDMI HORIZONTAL TENSION	20kg/min (MIN)
VERTICAL TENSILE	10kg/min (MIN)

© PC Cable World. All rights reserved.

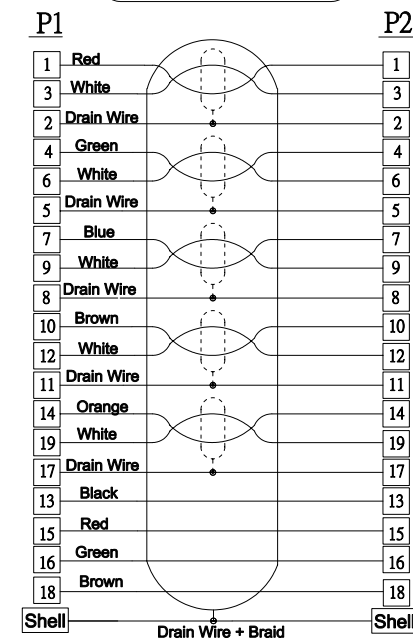
PC Cable World product specifications are subject to change without notice, but are accurate at the time of printing. Please contact a sales representative for a current specs. Please note that all physical specifications are nominal.

www.pccableworld.com

PREMIUM HDMI 1.4 M/M CABLE (COPPER BRAIDING) - 75', 100'



Pin Assignment:



SPECIFICATIONS

SKUS	LENGTH
VC-554Y	75FT (22875mm ± 100mm)
VC-554Z	100FT (30500mm ± 200mm)

MATERIALS

(1) CABLE	UL20276 {22AWG(7/0.254T)*1P+1TG}*5P+24AWG(7/0.20T)*4C+AB 85%, Jacket: Black OD: 11.5±0.2mm, CMG/FT4, (Spec No.:60857-B)
(2) HDMI CONN A/M	19 pin MALE solder type Contact: Copper alloy with Gold Plating 15u" Insulator: Thermoplastic UL94V-0 Metal Sheel with Gold Plating
(3) OVER MOLD	45P PVC Molded, Colour: Black, UL94V-0
(4) INNER MOLD	Material: PE, Colour: Natural, UL94V-0
(6) COPPER FOIL	Copper Foil Soldered
(7) CAP	TPE CAP

© PC Cable World. All rights reserved.

PC Cable World product specifications are subject to change without notice, but are accurate at the time of printing. Please contact a sales representative for a current specs. Please note that all physical specifications are nominal.

www.pccableworld.com