

# RJ45 CAT6 SLIM KEYSTONE JACK (TOOL-LESS)

<b>SKUS</b>	C6-69BK	(Black)
	C6-69BL	(Blue)
	C6-69WT	(White)

## FEATURES

- Category 6 UTP RJ45 Slim Keystone 16.6 x 36.5 x 22.3 mm
- Clear plastic termination cap for terminating Cat6 Cable
- Snap in for use with wall plates, surface-mount boxes, or unloaded patch panels
- 90° wire connection
- Backwards compatible with previous keystone jack standards
- Colour coded T568A and T568B wiring patterns on side of jack
- UL approved, 3P Third Party Tested, RoHS compliant, meets C5E EIA/TIA 568A/B Standard, cETLus certified



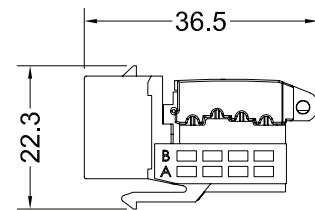
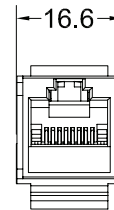
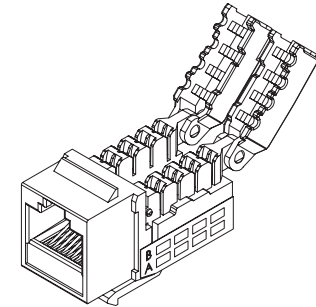
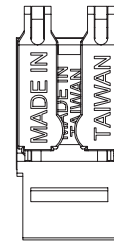
## AVAILABLE COLOURS



**SIZE (WxDxH)** 16.6 x 36.5 x 22.3 mm

## MATERIALS

<b>BODY</b>	Fireproof ABS UL-94V0
<b>JACK</b>	8P8C 50 Micro-inches gold plated
<b>PCB</b>	FR-4 / UL-94V0
<b>IDC CAP</b>	Fireproof PC + Glass Fiber UL-94V2
<b>IDC BODY</b>	Fireproof ABS UL-94V0
<b>IDC PIN</b>	Phosphor Bronze & Tinned
<b>IDC DESCRIPTION</b>	For 22-26 AWG For 110 punch-down Tool Tool-less (when use IDC cap directly)



## SPECIFICATIONS

<b>UL APPROVED   3P THIRD PARTY TESTED   ROHS COMPLIANT</b>	<b>INSULATION RESISTANCE</b>	500M ohms (min.)	
<b>MEETS C6 EIA/TIA 568A/B STANDARD   CETLUS CERTIFIED</b>	<b>CONTACT RESISTANCE</b>	20m ohms (max.)	
<b>IDC PUNCH DOWN CYCLE</b>	Over 250 Cycles (min.)	<b>CURRENT RATING</b>	1.5 Amps
<b>JACK INSERTION CYCLE</b>	Over 2000 Cycles (min.)	<b>DC RESISTANCE</b>	0.1 ohms (max.)
<b>OPERATION TEMPERATURE</b>	-40 — +70 Degrees Celsius	<b>WITHSTANDING VOLTAGE</b>	1000 VAC RMS @ 60Hz/1min
<b>TOLERANCE</b>	X ± 1   .X ± 0.2   .XX ± 0.15		

© PC Cable World. All rights reserved.

PC Cable World product specifications are subject to change without notice, but are accurate at the time of printing. Please contact a sales representative for current specs. Please note that all physical specifications are nominal.